



SD53C

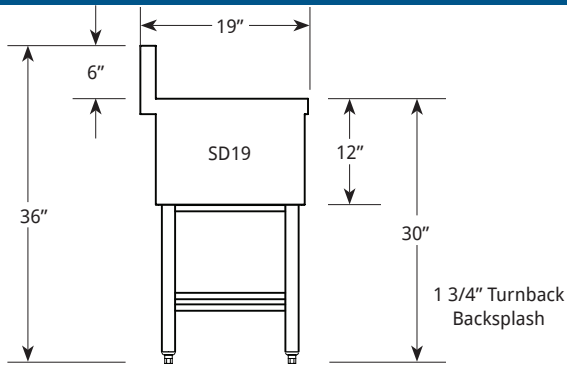
**FEATURES:**

- 304 Stainless Steel, Welded and Polished Top Assembly, Front Apron and Ends
- 20-Gauge Polished, Deep-Drawn 304 Stainless Steel Tanks
- Galvanized Steel Understructure
- 6" Tall Backsplash with 1 3/4" Turnback to Allow for Plumbing Clearance
- Deep-Drawn Sink Bowls 10"x14"x9 3/4"
- All Sinks Include Compatible Low Lead Compliant Faucet
- 1" Diameter Faucet Holes
- Legs: Steel Tube and Welded Cross-Brace Construction, with Corrosion Resistant Hammertone Paint and High-Impact Plastic Adjustable Feet
- Stainless Steel Drain with 1 1/2" Standard Male Pipe Thread (1 1/2" I.P.S. - Std. Thread), Gasket and Nut Field Installed
- Chrome Plated Overflow Tubes with Rubber Grommet for Each Sink
- Backsplash Mounted Faucets with 6" Centers (1 Faucet with 3 Tanks or Fewer Models; 2 Faucets for 4 Tank Models)
- Constructed to Meet NSF Specifications

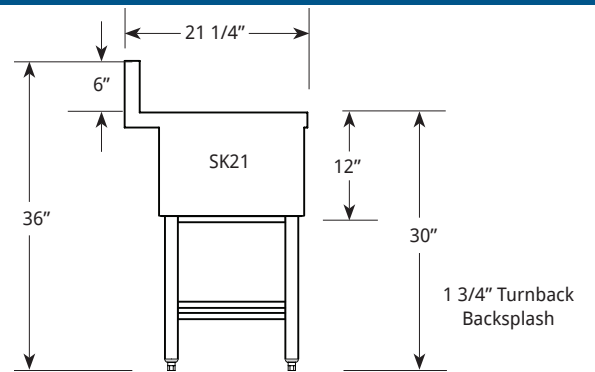
**MODEL NUMBERS:**

Description	Model	Model
<b>One Compartment</b>	SD31	SK31
<b>Two Compartment</b>	SD22	SK22
1 Faucet	SD32	SK32
	SD42	SK42
<b>Three Compartment</b>	SD33	SK33
1 Faucet	SD43	SK43
	SD53	SK53
	SD63	SK63
	SD73	SK73
<b>Four Compartment</b>	SD44	SK44
2 Faucets	SD64	SK64
	SD74	SK74

**SD: 19" FRONT TO BACK WALL MOUNT FAUCET**

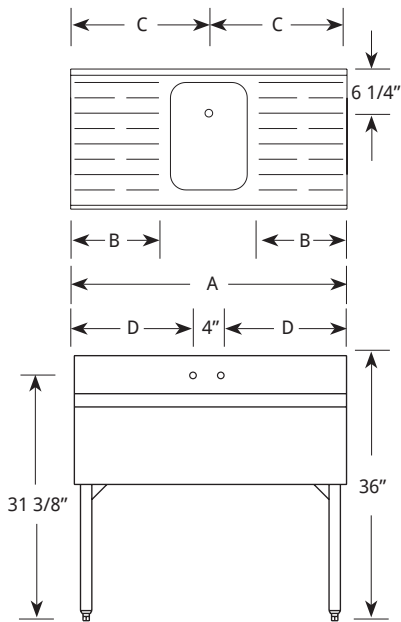


**SK: 21" FRONT TO BACK WALL MOUNT FAUCET**



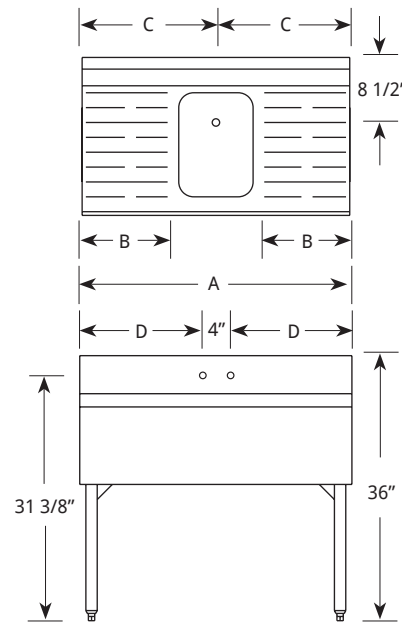
**ONE COMPARTMENT SINK**

**CENTER TANK:**



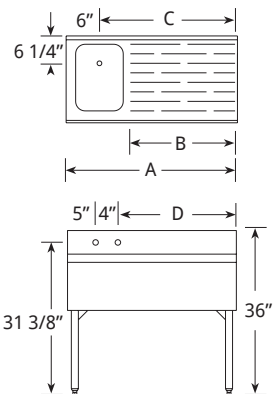
Model	A	B	C	D
SD31C	36	13	18	16

**CENTER TANK:**



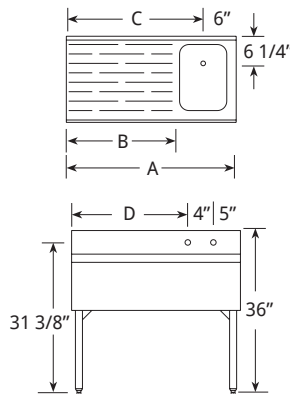
Model	A	B	C	D
SK31C	36	13	18	16

**LEFT TANK:**

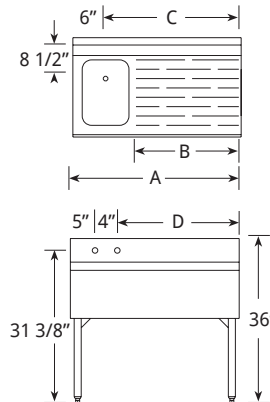


Model	A	B	C	D
SD31 (L,R)	36	24	30	27

**RIGHT TANK:**

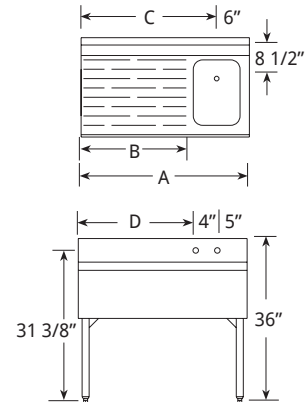


**LEFT TANK:**



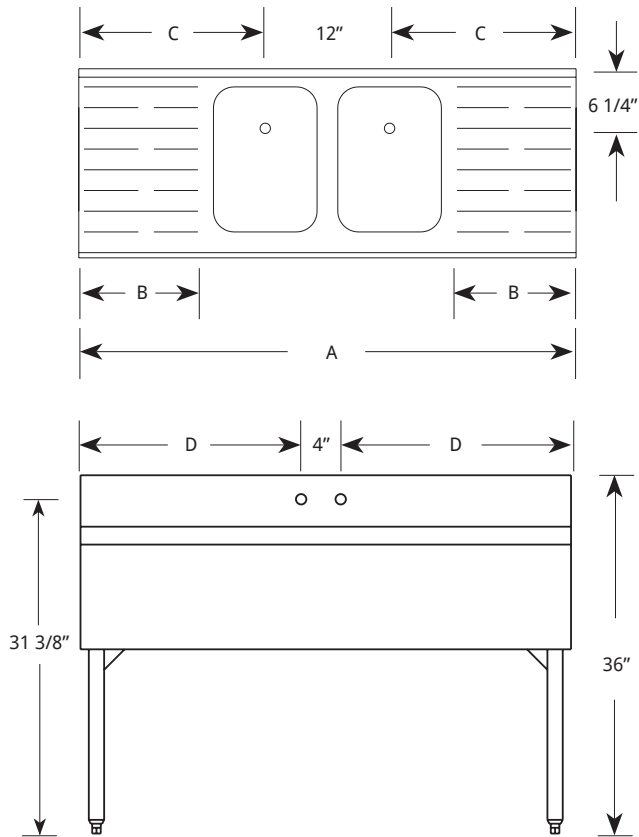
Model	A	B	C	D
SK31 (L,R)	36	24	30	27

**RIGHT TANK:**



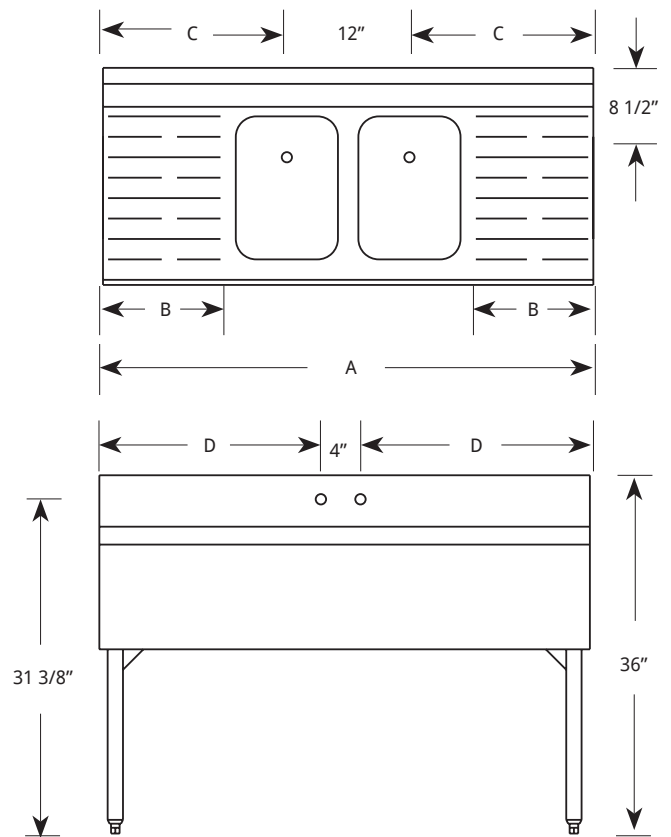
## TWO COMPARTMENT SINK

### CENTER TANK:



Model	A	B	C	D
SD42C	48	12	18	22
SD22	24	0	6	14

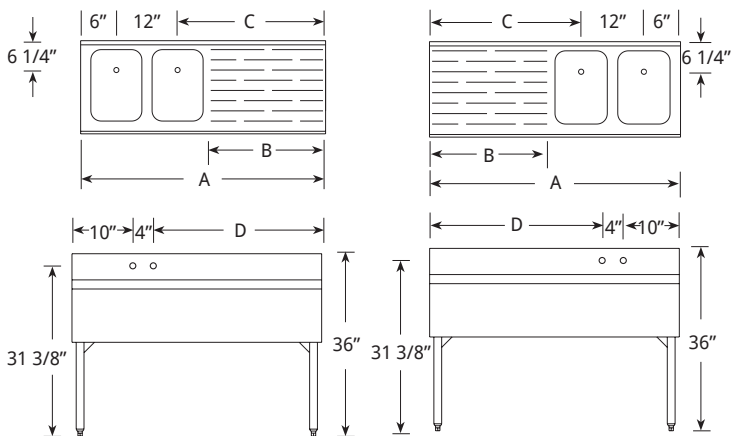
### CENTER TANK:



Model	A	B	C	D
SK42C	48	12	18	22

### LEFT TANK:

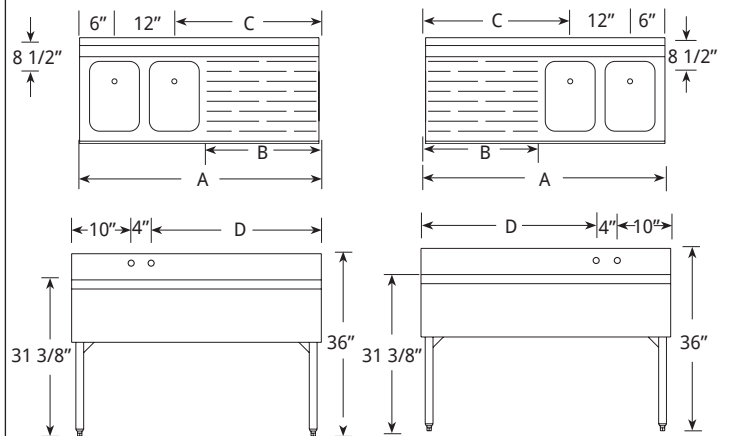
### RIGHT TANK:



Model	A	B	C	D
SD32 (L,R)	36	12	18	21
SD42 (L,R)	48	24	30	33

### LEFT TANK:

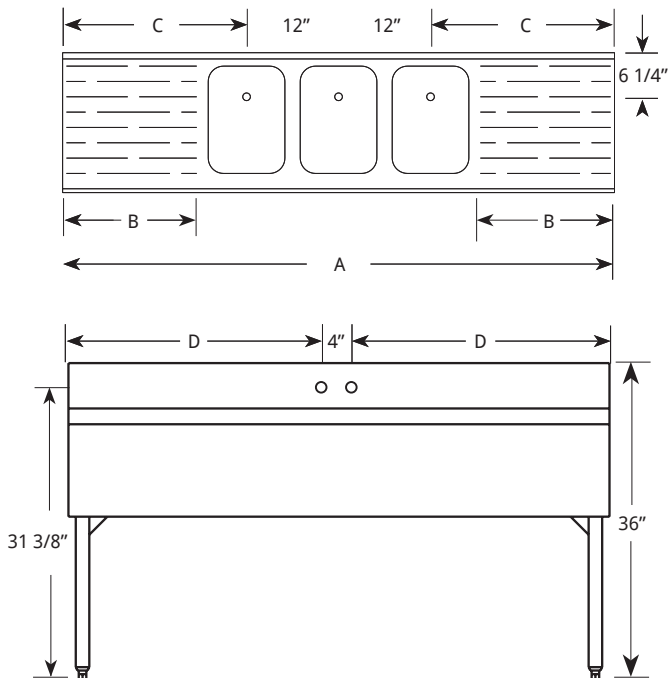
### RIGHT TANK:



Model	A	B	C	D
SK32 (L,R)	36	12	18	22
SK42 (L,R)	48	24	30	34

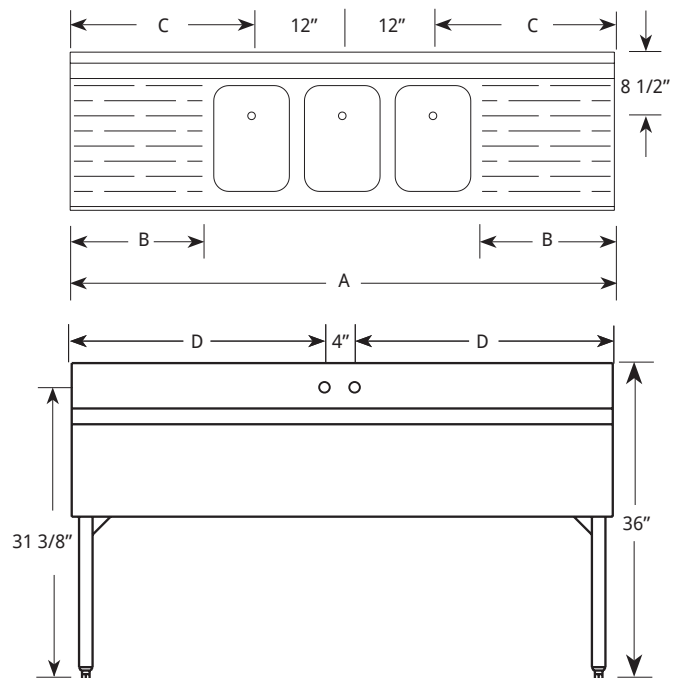
# THREE COMPARTMENT SINK

## CENTER TANK:



Model	A	B	C	D
SD33C	36	0	6	16
SD53C	60	13	18	28
SD63C	72	19	24	34
SD73C	84	25	30	40

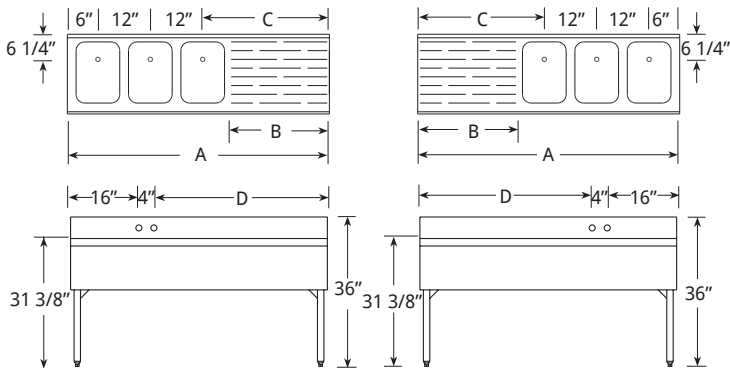
## CENTER TANK:



Model	A	B	C	D
SK53C	60	12	18	28
SK63C	72	18	24	34
SK73C	84	24	30	40

## LEFT TANK:

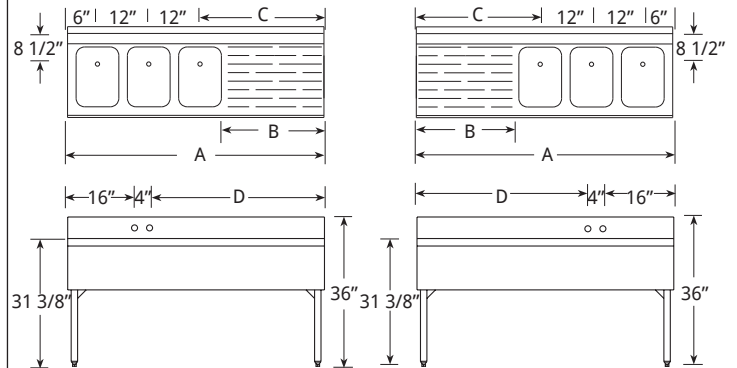
## RIGHT TANK:



Model	A	B	C	D
SD43 (L,R)	48	12	17	27
SD53 (L,R)	60	24	29	39
SD63 (L,R)	72	36	41	51
SD73 (L,R)	84	48	53	63

## LEFT TANK:

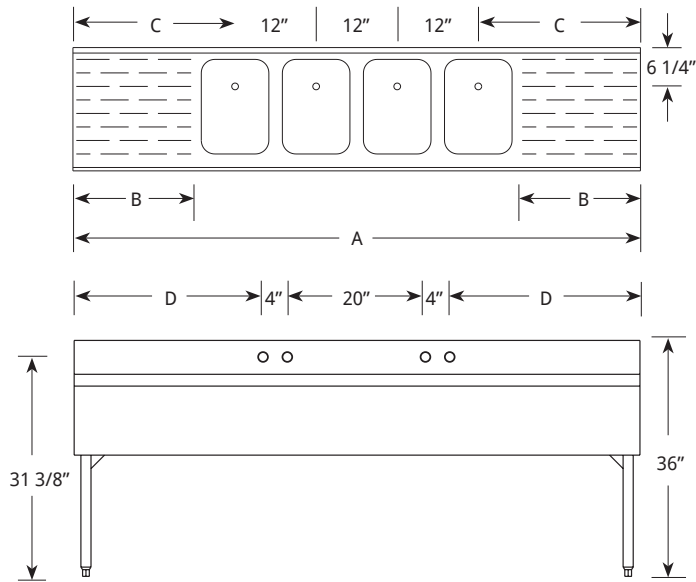
## RIGHT TANK:



Model	A	B	C	D
SK43 (L,R)	48	12	18	28
SK53 (L,R)	60	24	30	40
SK63 (L,R)	72	36	42	52
SK73 (L,R)	84	48	54	64

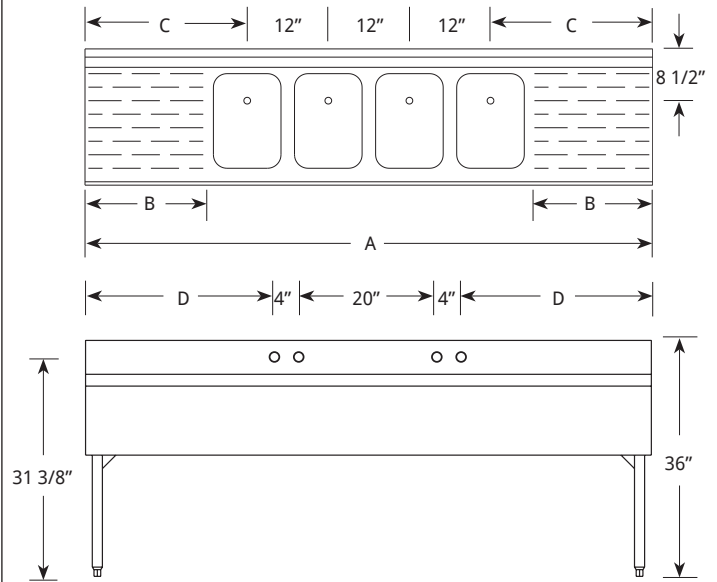
# FOUR COMPARTMENT SINK

## CENTER TANK:



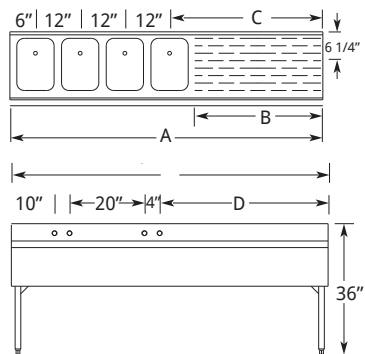
Model	A	B	C	D
SD44	48	0	5	4
SD64C	72	12	18	22
SD74C	84	18	24	28

## CENTER TANK:



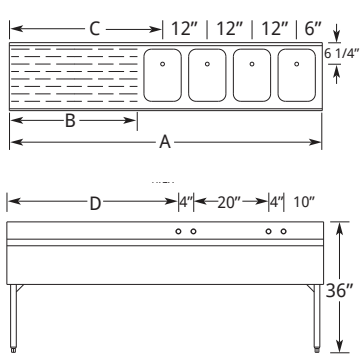
Model	A	B	C	D
SK44	48	0	5	4
SK64C	72	12	18	22
SK74C	84	18	24	28

## LEFT TANK:

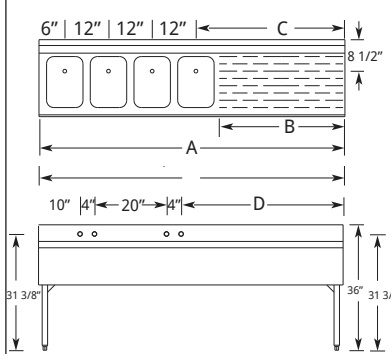


Model	A	B	C	D
SD64 (L,R)	72	24	30	34
SD74 (L,R)	84	36	42	46

## RIGHT TANK:

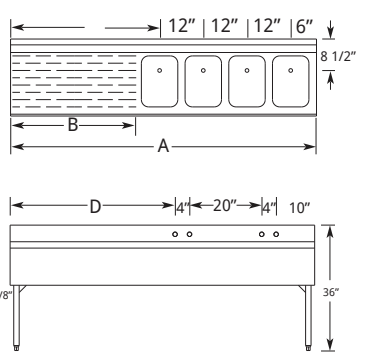


## LEFT TANK:

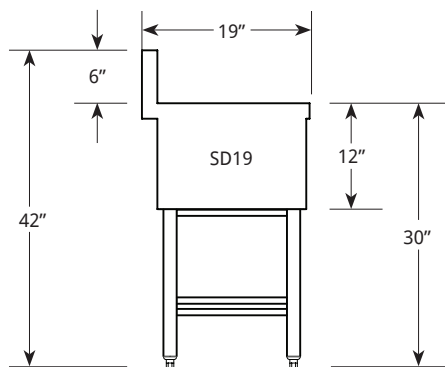


Model	A	B	C	D
SK64 (L,R)	72	24	30	34
SK74 (L,R)	84	36	42	46

## RIGHT TANK:



# DELI SINK

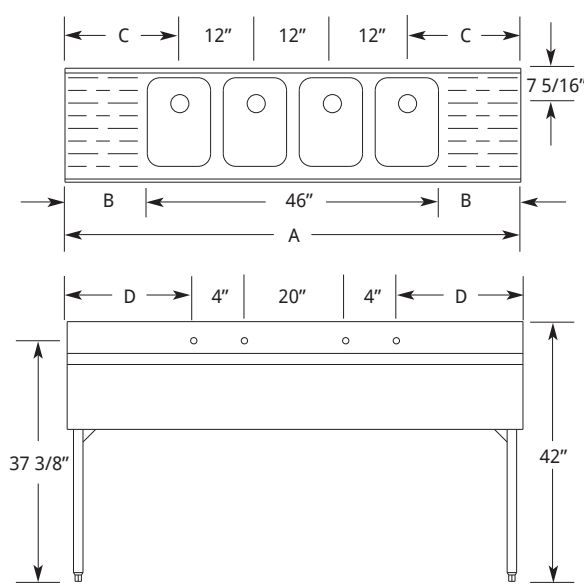
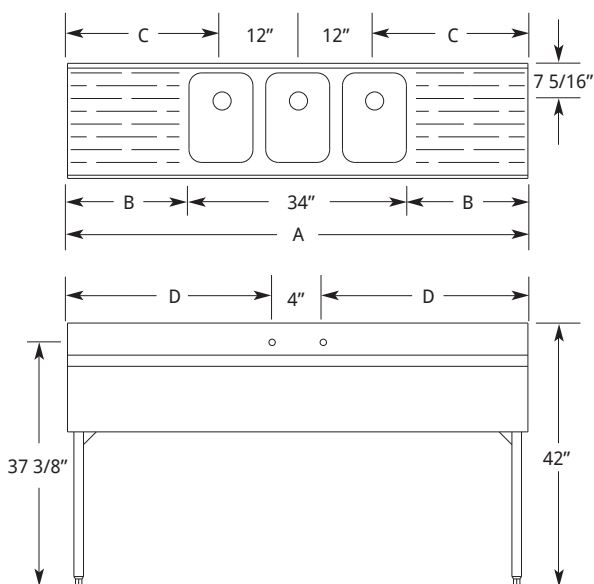


## DELI SINK SPECIFICATIONS:

- Deep-Drawn Sink Bowls 10"x14"x9 3/4"
- 1 1/2 I.P.S. - Standard Thread Drain Connections
- 1" Diameter Faucet Meeting Holes
- All Units 304 Stainless Steel Front Apron and Ends
- 3" Strainer Basket Steel Drain with 1 1/2" Standard Male Pipe Thread, Gasket, Nut-Field Installed

## THREE CENTER TANKS:

## FOUR CENTER TANKS:



Model	A	B	C	D
SD53C	60	13	18	28
SD63CD	72	19	24	34

Model	A	B	C	D
SD64CD	72	13	18	22
SD74CD	84	19	24	28

LaCrosse has a policy of continuous product improvement, and reserves the right to change design and specifications without notice.

L#1013.1016