



BB60

FEATURES:

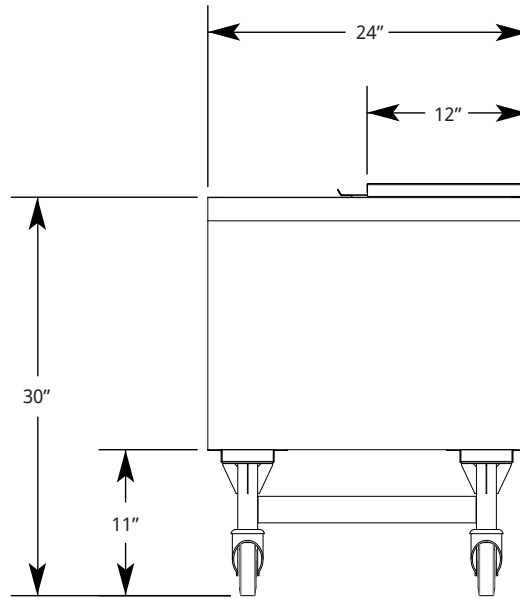
- 304 Stainless Steel, Welded and Polished Top Assembly, Ends and Backsplash
- 24" Front to Back
- Includes Stainless Steel Sliding Covers (2) with Removable Center Brace
- 18" Deep Ice Chest Trough
- 30" Working Height
- 5" Casters - 2 Fixed; 2 Locking Brake and Swivel
- Stainless Steel Drain with 1 1/2" Standard Male Pipe Thread (1 1/2" I.P.S. - Std. Thread), Gasket and Nut Field Installed
- Reinforced Leg Assembly with Braces

MODEL NUMBERS:

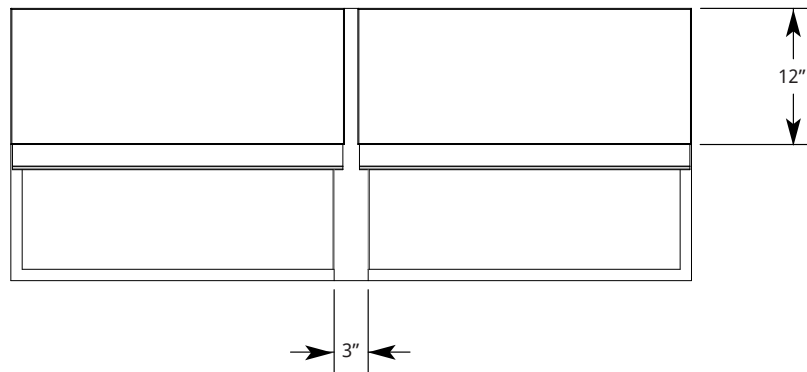
Description	Model
Trough	BB48
	BB60

TROUGHS

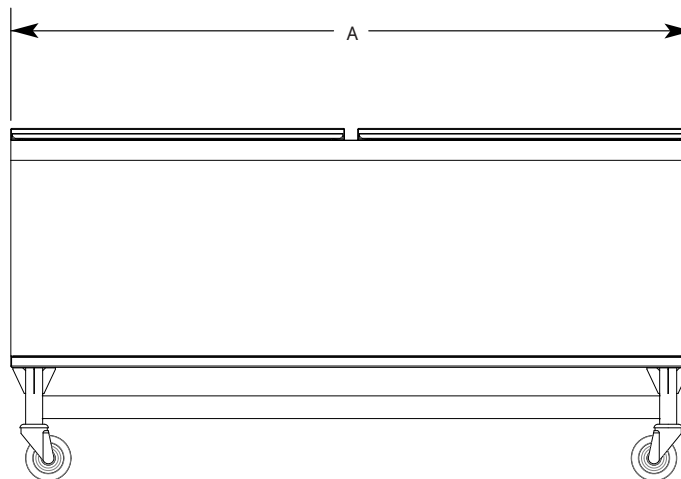
SIDE VIEW:



TOP VIEW:



FRONT VIEW:



Model	A
BB48	48
BB60	60

LaCrosse has a policy of continuous product improvement, and reserves the right to change design and specifications without notice.

L#1022.0317