



MS36-24CTC+10

FEATURES:

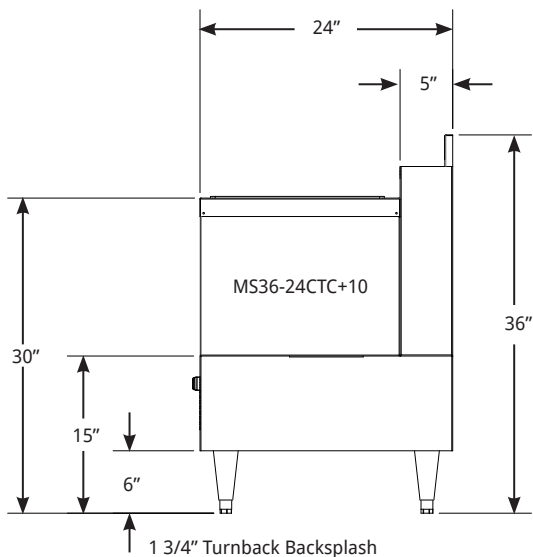
- 304 Stainless Steel Welded and Polished Top Assembly, Front and Ends
- 11" Deep Ice Bin
- 24" Front of Rail to Back
- 15" Front Apron
- Ice Chest with Built-In 10 Circuit Cold Plate, 1/2" Female Pipe Thread Drain
- Separate Insulated Side Bins with Two (2) Bottle Storage Trays
- Soda Line Chase Provided Behind Each Side Bin
- Includes 304 Stainless Steel 24" Keyhole Speedrail and Sliding Cover
- Cabinet Base with Locking Door
- Die-Cast Heavy Duty 6" Stainless Steel Equipment Legs with Adjustable Feet
- Constructed to Meet NSF Specifications

MODEL NUMBERS:

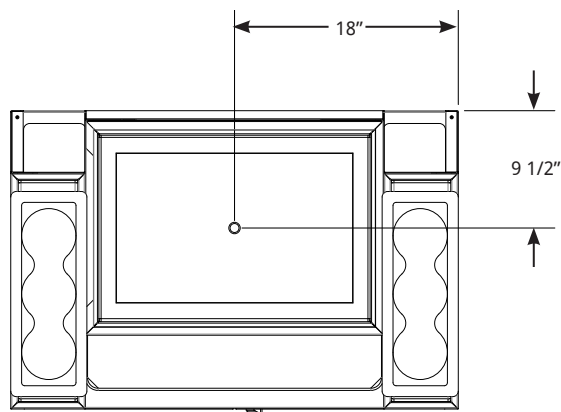
Description	Model
Cockpit Mixing Station	MS36-24CTC+10

COCKPIT MIXING STATION

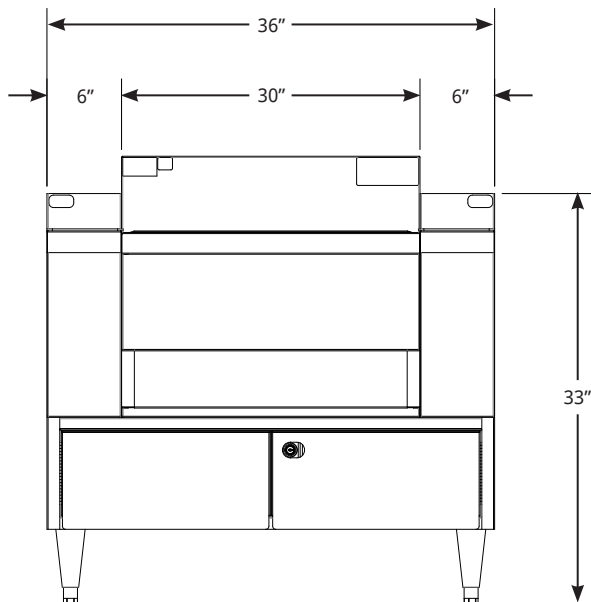
SIDE VIEW:



TOP VIEW:



FRONT VIEW:



LaCrosse has a policy of continuous product improvement, and reserves the right to change design and specifications without notice.

L#1009.0317