



# 5FT MIXING STATIONS



MS5-36CTCHSRBDL+10

**FEATURES:**

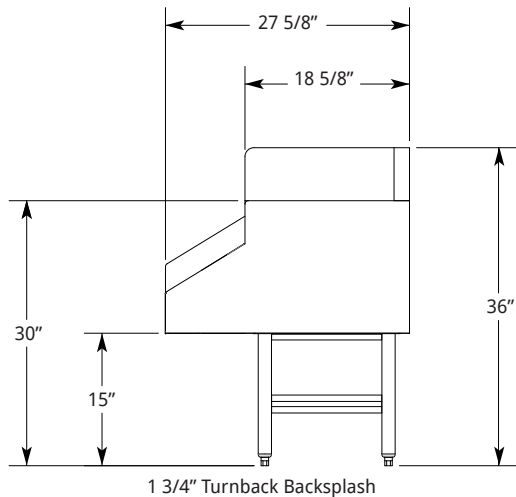
- 304 Stainless Steel Welded and Polished Top Assembly, Apron, Ends, and Backsplash
- 304 Insulated Ice Chest with 11" Inside Depth
- Legs: Steel Tube and Welded Cross Brace Construction with Corrosion Resistant Hammertone Paint and High Impact Plastic Adjustable Feet
- Ice Chest with Built-In 10 Circuit Cold Plate, Drain 1/2" Standard Female Pipe Thread
- 12" Insulated Bin for Bottle Storage and Two (2) Bottle Storage Trays
- 12" Handsink with 6" Deep Sink Bowl and Low Lead Compliant Faucet, 3" Strainer Basket Drain
- 12"x9" Blender Shelf
- 6" Splash Guard
- Includes 304 Stainless Steel Sliding Cover
- Constructed to Meet NSF Specifications
- Optional: 12" Bottle Storage Display, 12" Perforated Drainboard, and/or 12" Glass Rinser/Cutting Board Combo

**MODEL NUMBERS:**

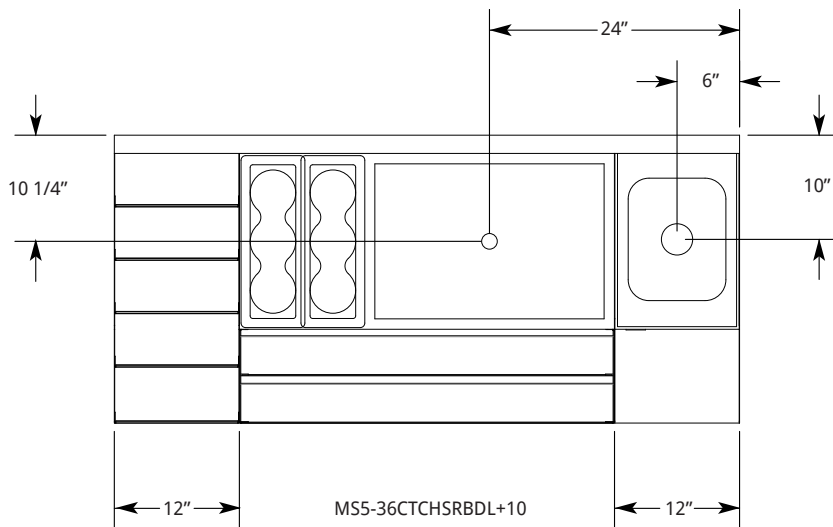
Description	Model
Mixing Station	MS5-36CTCHSRBDL+10
	MS5-36CTCHSRGRL+10
	MS5-36CTCHSRDPL+10

# 5FT MIXING STATIONS

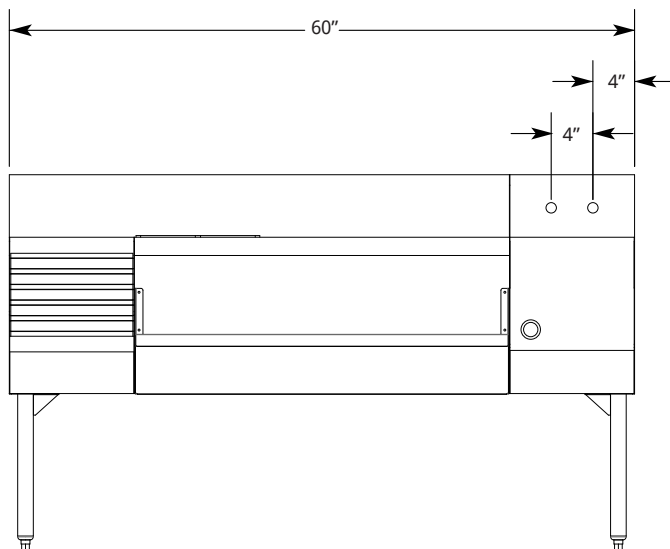
SIDE VIEW:



TOP VIEW:

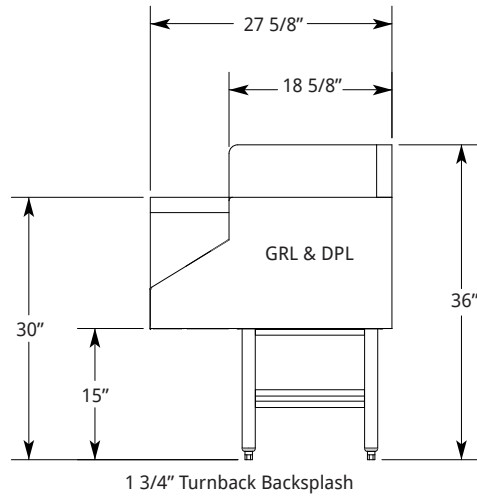


FRONT VIEW:

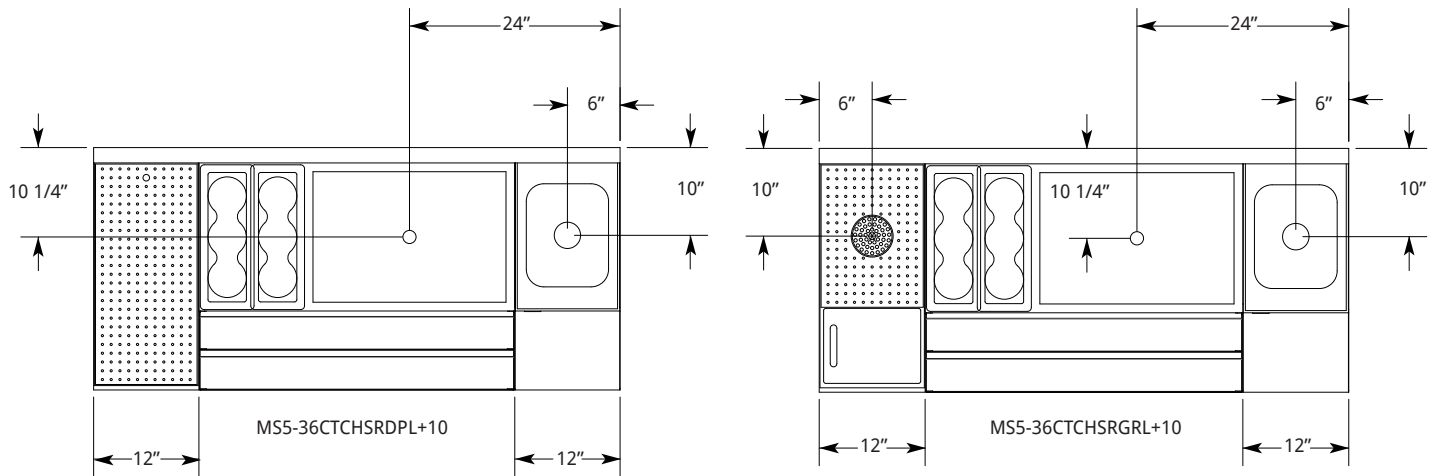


# 5FT MIXING STATIONS

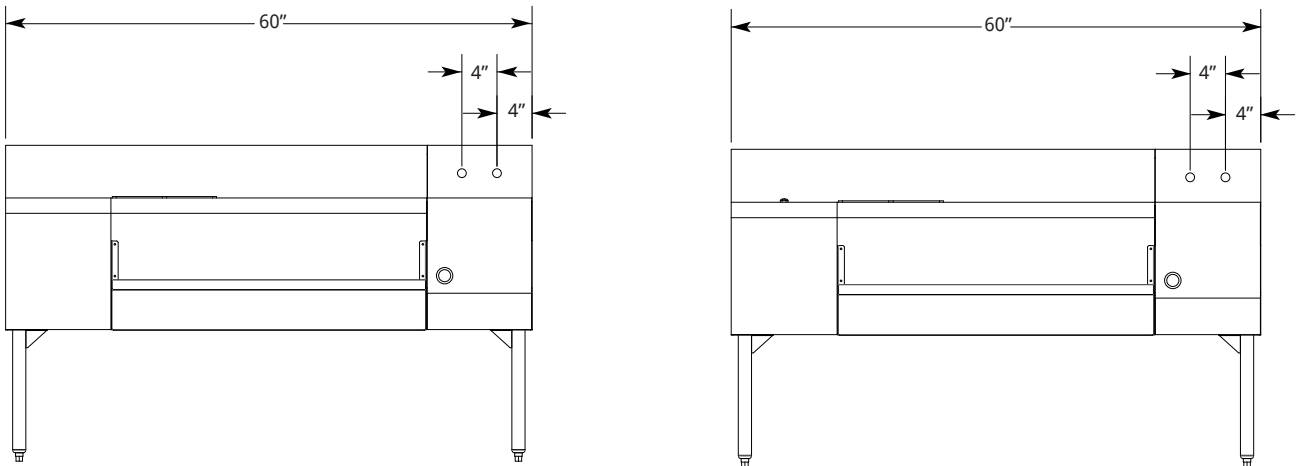
SIDE VIEW:



TOP VIEW:



FRONT VIEW:



LaCrosse has a policy of continuous product improvement,  
and reserves the right to change design and specifications without notice.

L#1007.0317