



FEATURES:

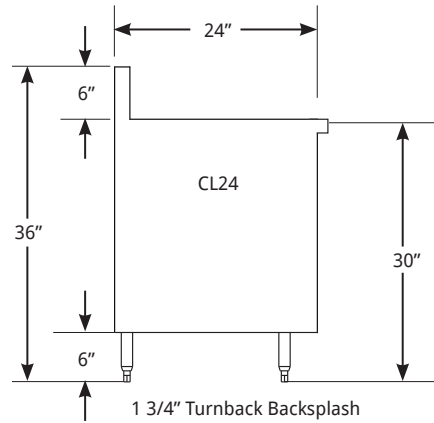
- 304 Stainless Steel Welded and Polished Top Assembly and Cabinet
- 10"x12"x6" Deep Sink Bowl
- Recessed Top
- 6" Deep Removable Chemical Pan with Handle
- Open Cabinet Base for Chemical Storage
- Low Lead Compliant Faucet
- Stainless Steel Drain with 1 1/2" Standard Male Pipe Thread (1 1/2" I.P.S. - Std. Thread), Gasket and Nut Field Installed
- Removable Shelf for Storage (24" Only)
- Die-Cast Heavy Duty 6" Stainless Steel Equipment Legs with Adjustable Feet

MODEL NUMBERS:

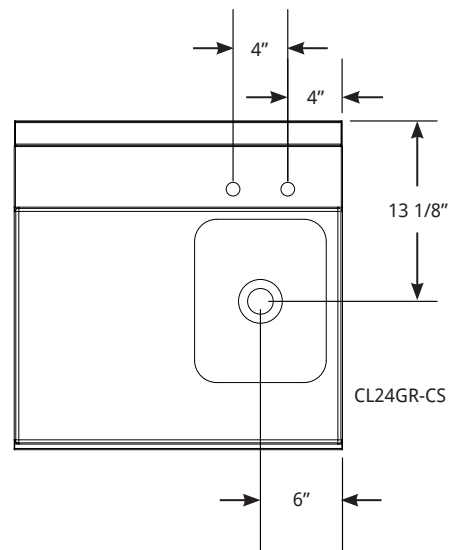
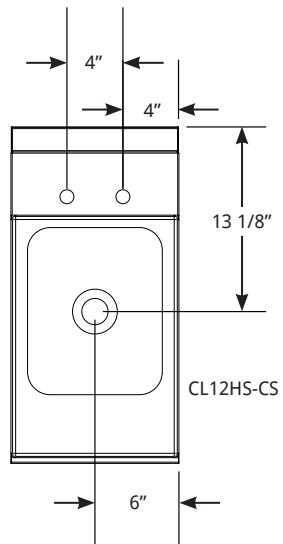
Description	Model
Chemical Station	CL12HS-CS
	CL24GR-CS

CHEMICAL STATION

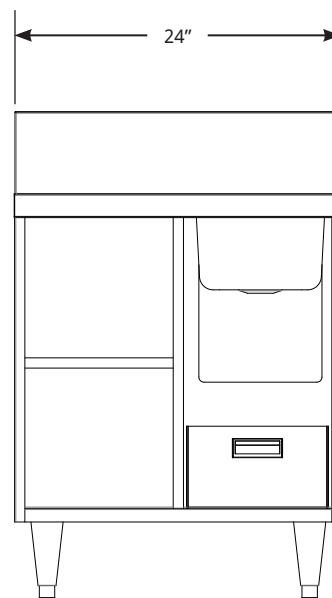
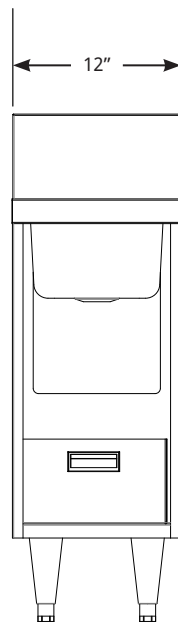
SIDE VIEW:



TOP VIEW:



FRONT VIEW:



LaCrosse has a policy of continuous product improvement, and reserves the right to change design and specifications without notice.

L#1015.0317