

SKP48

FEATURES:

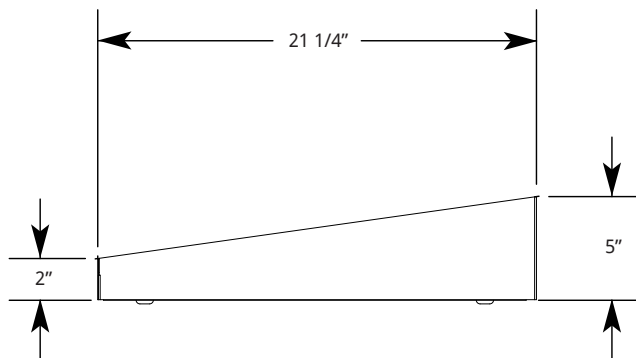
- 304 Stainless Steel, Welded and Polished Top Assembly and Sides
- Counter Top Drying Pan
- Removable Perforated Pan with Drain
- 5" Backsplash

MODEL NUMBERS:

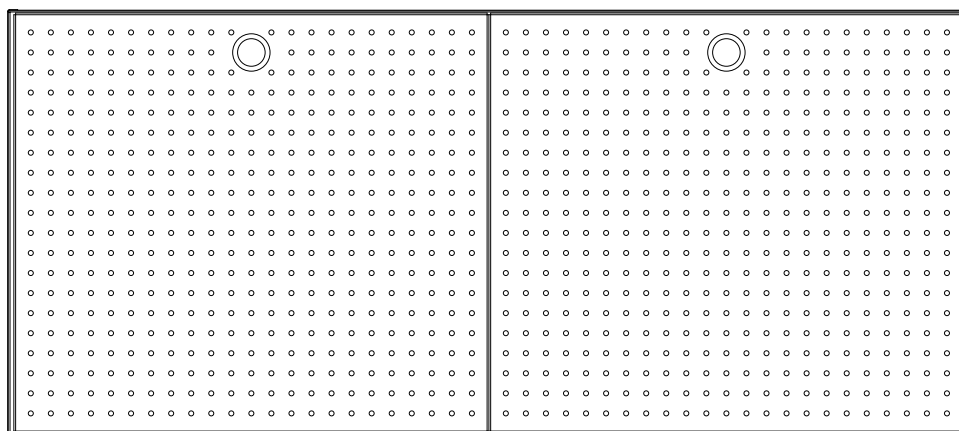
Description	Model
Counter Drying Pan	SKP24
	SKP42
	SKP48

DRYING RACKS

SIDE VIEW:

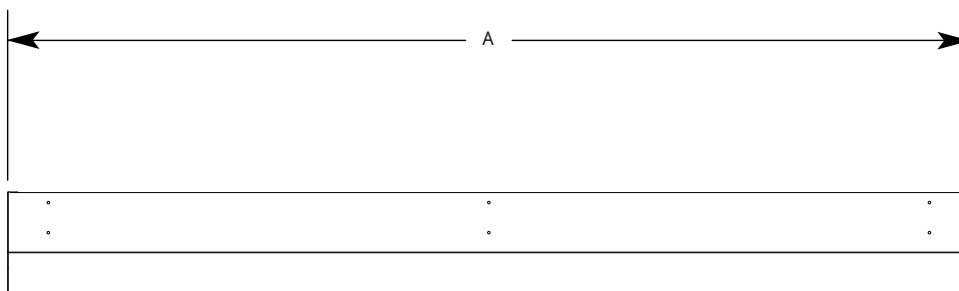


TOP VIEW:



Note: Only one removable perforated pan for SKP24.

FRONT VIEW:



Model	A
SKP24	24
SKP42	42
SKP48	48

LaCrosse has a policy of continuous product improvement, and reserves the right to change design and specifications without notice.